



HBF SERIES LED HIGH BAY

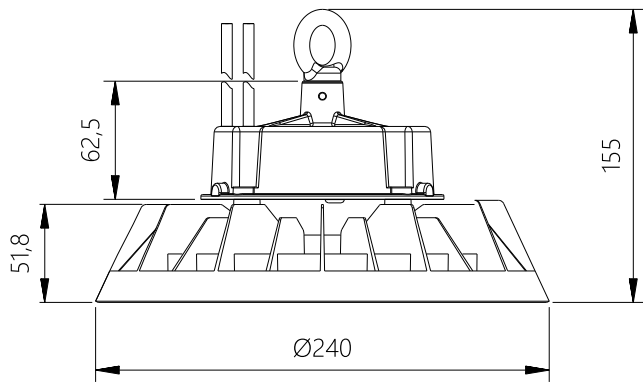
www.seekingled.com



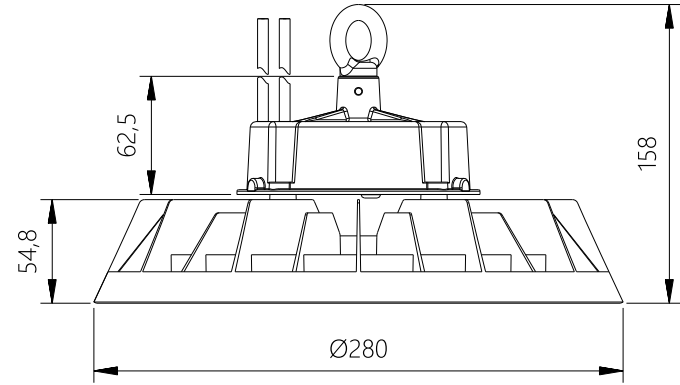
HBF series UFO high bay light have fully considered the balance between product performance and cost control from the beginning of the design. Therefore, while ensuring good heat dissipation and high light efficiency, it brings excellent cost performance and optimal packaging volume. It adopts high-quality die cast aluminum heat sink, SOSEN flicker-free driver, with a light efficiency of up to 200lm/W and CRI>80, IP65, IK08, equipped with microwave motion sensor interface, easy to plug and play, and more energy-efficient. HBF passed CE, CB certification, it is really a excellent choice for distribution, wholesale, project



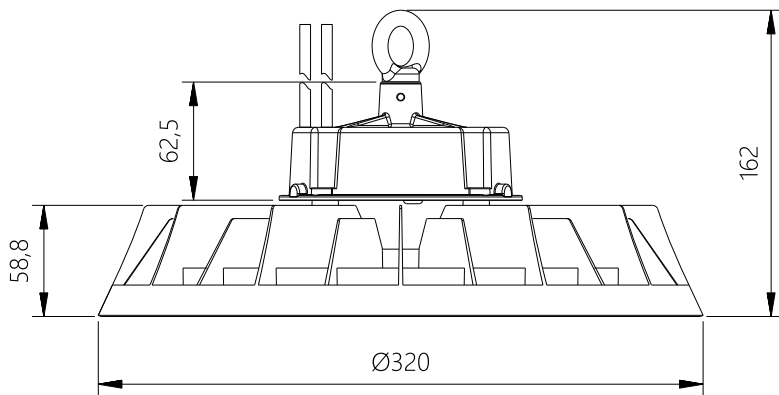
Dimension



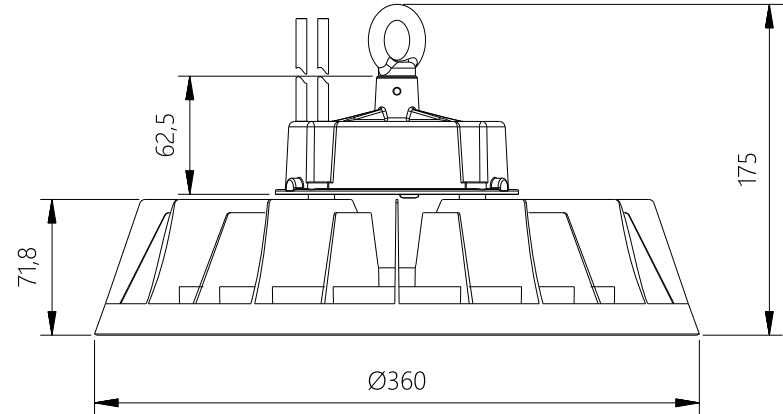
XJ-HBF100W



XJ-HBF150W



XJ-HBF200W



XJ-HBF240W

Parameter

Model NO.	Power (W)	Luminous Flux (200lm/W)
XJ-HBF100W-*	100	20000
XJ-HBF150W-*	150	30000
XJ-HBF200W-*	200	40000
XJ-HBF240W-*	240	48000

Above lumens based on 5700K Ra:70

Light distribution curve



60°



90°

AC Input: 100-277V 50/60Hz
 Brand of LED Driver: SOSEN
 Light Source: 2835
 CRI Range: Ra>70
 CCT Range: NW(4000K) CW(5700K)
 WW(3000K)(Optional) DW(5000K)(Optional)
 Light Efficiency: 200±5% Lm/W
 Beam Angle: 60°/ 90°
 Maximum detection distance: 12metre
 Housing: Aluminum Alloy
 Waterproof: IP65 & IK08
 L80B20@25°C: >100000H
 PF: ≥0.95 THD<15% Power Efficiency: ≥0.9
 Certifications: CE, CB
 Warranty: 5 Years

Note: 90 degree default with sensor interface
 60 degree default without sensor interface

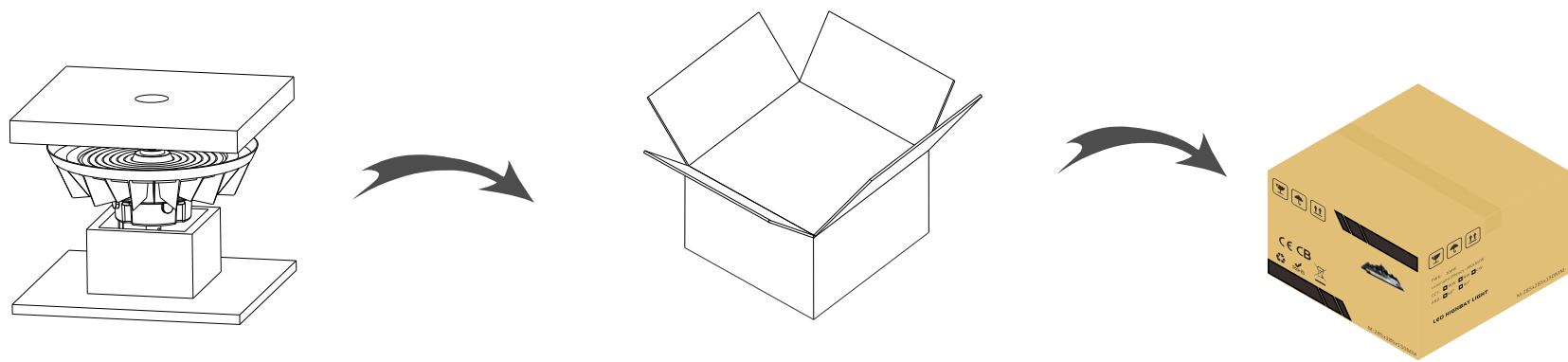


Dimmable



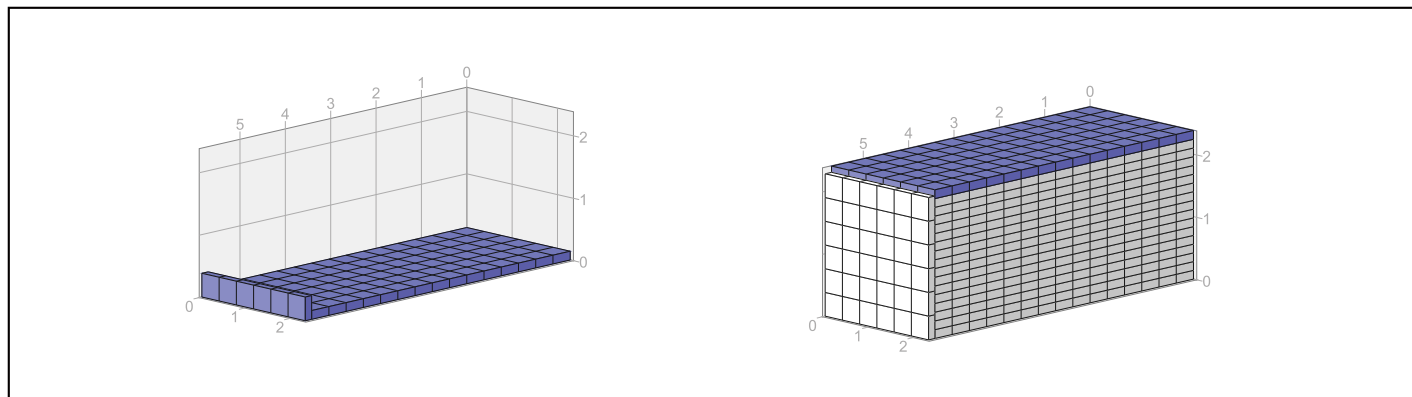
Sensor interface

Package

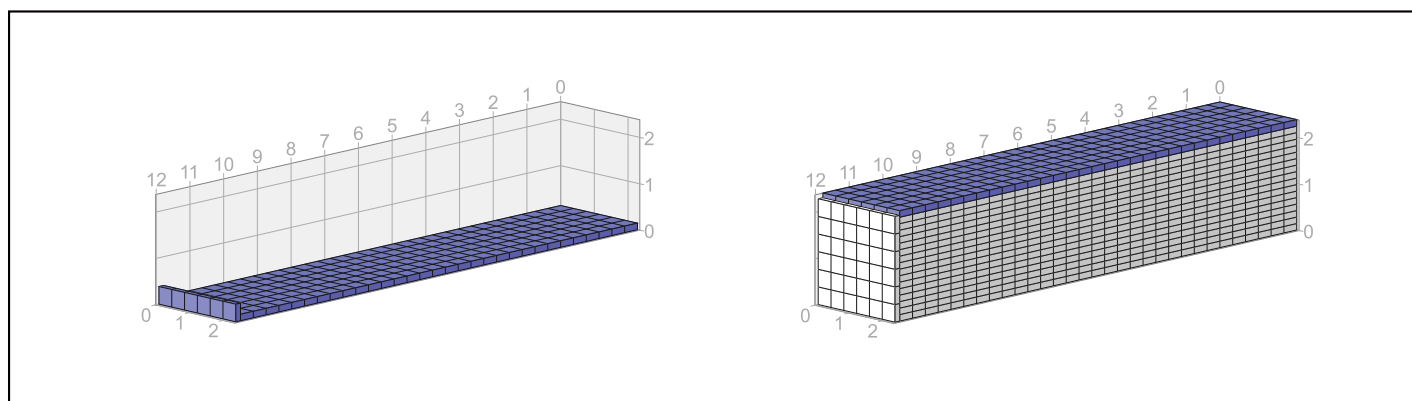


Model	Qty.	N.W.(kg)	G.W.(kg)	Meas(mm)
XJ-HBF100W-*	1Pc/ctn	1.6	1.9	285x285x150
XJ-HBF150W-*	1Pc /ctn	1.9	2.3	325x325x150
XJ-HBF200W-*	1Pc/ctn	2.4	2.9	365x365x155
XJ-HBF240W-*	1Pc/ctn	3.2	3.9	405x405x180

20ft



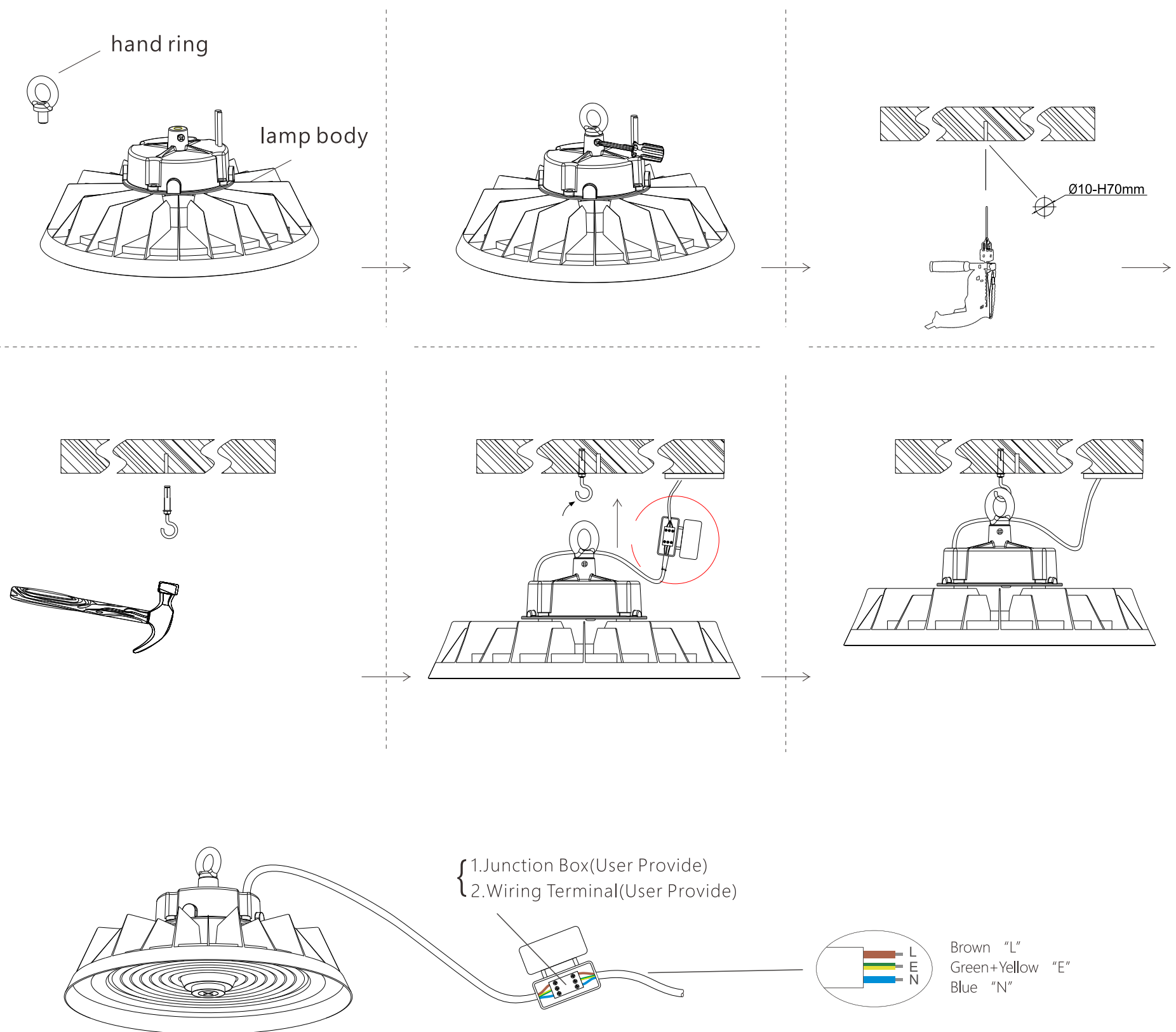
40ft



Model	Packaging volume	20ft container	40ft HQ	40ft GP
XJ-HBF100W-*	0.012m ³	4800 PCS	10080 PCS	8610 PCS
XJ-HBF150W-*	0.016m ³	3780 PCS	7770 PCS	6480 PCS
XJ-HBF200W-*	0.021m ³	2880 PCS	5760 PCS	5376 PCS
XJ-HBF240W-*	0.030m ³	1820 PCS	3770 PCS	3480 PCS

Note: Packing information is for reference only

Installation



Installation steps

- A: Open the packaging take out the lamp body and the hand ring;
- B: Install the hand ring, tighten the Screw with a Screwdriver;
- C: Drill a hole in ceiling;
- D: Insert the screw with hook into the hole;
- E: Install the luminaire onto the hook, and connect the wires as showing.
- E: Clean the lamp and complete the installation.

Note : Please make sure the power off before operation, Installation must be performed by skilled electrician who are familiar with the requirements and proper installation methods of LED luminaire. In order to avoid damage or hazard; The external flexible cable or cord of this luminaire can not be replaced, if the cord is damaged, the luminaire must be destroyed; The light source contained in this luminaire shall only be replaced by a qualified person;